

MF55 Film Type Temperature Measurement NTC Thermistor

R25 (Ω): 10K ~ 100K

Uses: computers, printers, household appliances



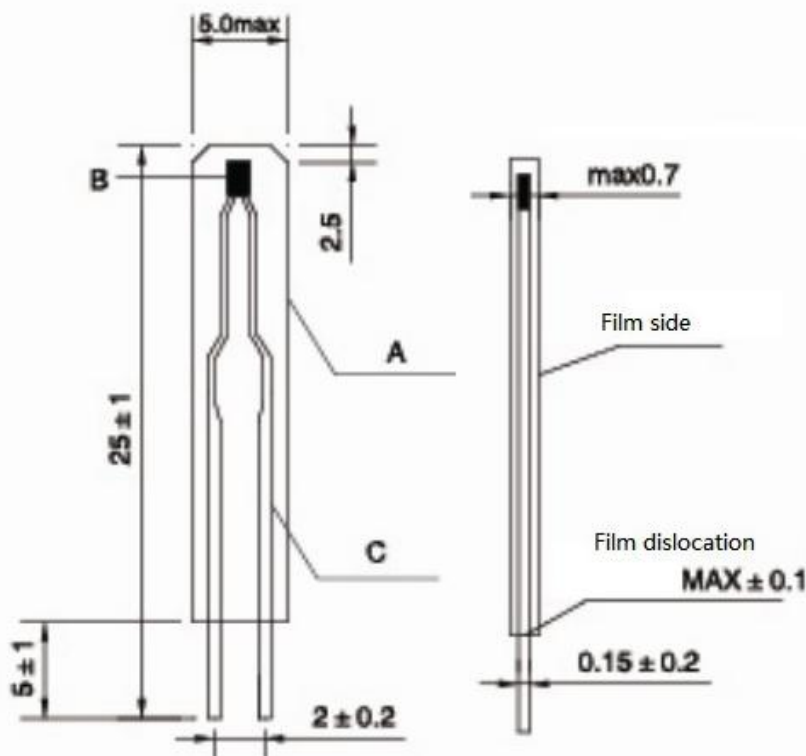
1. Application

- Computer
- Printer
- House hold appliance

2. Characteristics

- Fast response and high sensitivity
- High stability and reliability
- Superior electrical insulation
- High precision
- Safty secure
- Small size, light weight, solid structure is convenient for auto mounting.

3. Dimension (mm)



Code	Material explanation
A	Polyimede film
B	Chip
C	Phosphorcopper frame

MF55 Film Type Temperature Measurement NTC Thermistor

4.Main parameters

- ◆ Resistance range R25 : 5 ~ 500 KOhm
- ◆ Resistance tolerance : $\pm 1\%$, $\pm 2\%$, $\pm 3\%$, $\pm 5\%$, $\pm 10\%$
- ◆ B25/50 value : 3270 ~ 4750K
- ◆ B value tolerance : $\pm 1\%$, $\pm 2\%$
- ◆ Dissipation coefficient: $\geq 0.8\text{mW}/^\circ\text{C}$ in still air
- ◆ Thermal time constant : $\leq 5\text{sec}$ in still air
- ◆ Operating temperature range : $-40 \sim +125^\circ\text{C}$
- ◆ Rated power : $\leq 50\text{mW}$

5.How to order



- ① ② ③ ④ ⑤

- ① Type : MF55 Film Type Temperature Measurement NTC Thermistor
- ② Rated zero power resistance: 103-10K Ohm
- ③ Resistance tolerance : F - $\pm 1\%$, G - $\pm 2\%$, H - $\pm 3\%$, J - $\pm 5\%$,
- ④ B value : namely 3380K, 3950K
- ⑤ B value tolerance : F : $\pm 1\%$, G : $\pm 2\%$